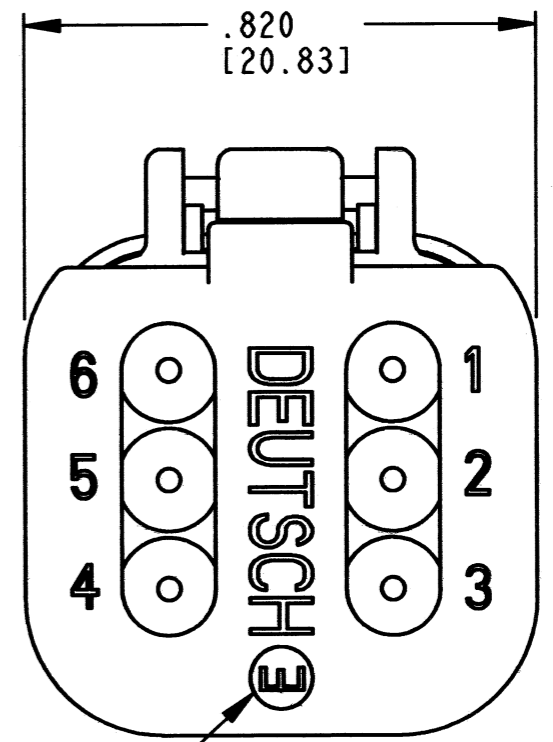
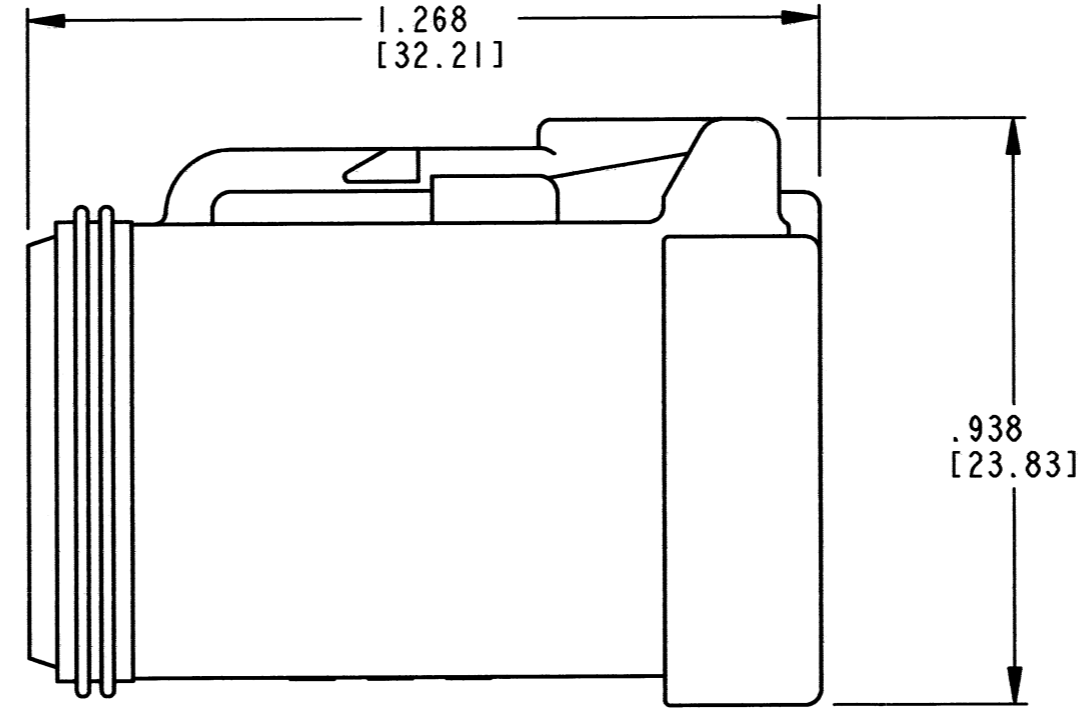
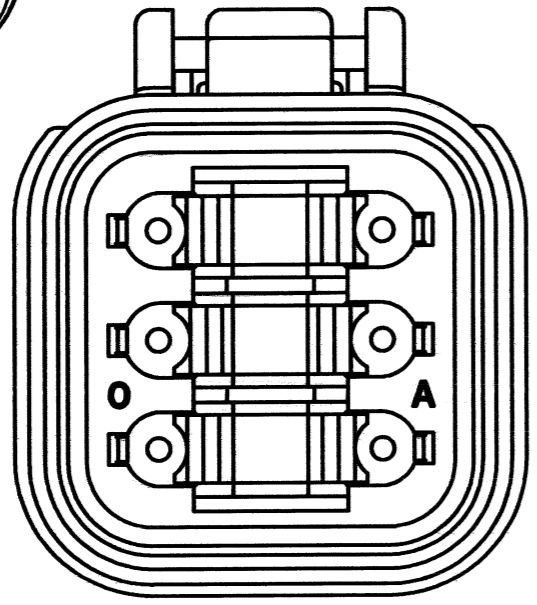


CONTACT SIZE	MIN. INSUL O.D.	MAX. INSUL O.D.	WIRE RANGE [mm ²]
16	.053 [1.35]	.120 [3.05]	14-20 AWG [2.0-0.5]

REV B DT06-6S-CE05

REVISIONS			
SYM	DESCRIPTION	DATE	APPROVED
NC	NEW RELEASE PER E.O. P15980	3/31/99	R.D.R.
A	REVISED PER E.O. P19360	9/8/06	R.D.R.
B	REVISED PER E.O. P21409	7-20-12	RDR




- 5. MATERIAL - HOUSING: PLASTIC; COLOR: BLACK
SEALS: RUBBER
- 4. THIS PLUG MATES WITH DT04-6P-**** (**** = ALL MODIFICATIONS). CONSULT FACTORY FOR MODIFICATIONS.
- 3. FOR CONTACTS AND WIRE PERFORMANCE AND APPLICATION CHARACTERISTICS SEE ENVELOPE DRAWINGS 0425-015-0000 AND 0425-017-0000.
- 2. DIMENSIONS ARE ±.025[0.63] UNLESS OTHERWISE SPECIFIED.

NOTES: 1. DIMENSIONS ARE IN INCHES [MILLIMETERS].

SIGNATURE & DATE	
DR	D. SPENCER 18MAR99
CHK	<i>[Signature]</i> 7/13/2012
PE	<i>[Signature]</i> 7/11/12
APPD	<i>[Signature]</i>
SCALE	3.25:1 WT

6 WAY PLUG
CE05 MOD.
DT SERIES

ENVELOPE

EP	MATL. CODE
 3850 INDUSTRIAL AVE. HEMET, CA 92545	
B	DT06-6S-CE05
DWG SIZE	CODE 11139 SHEET OF

